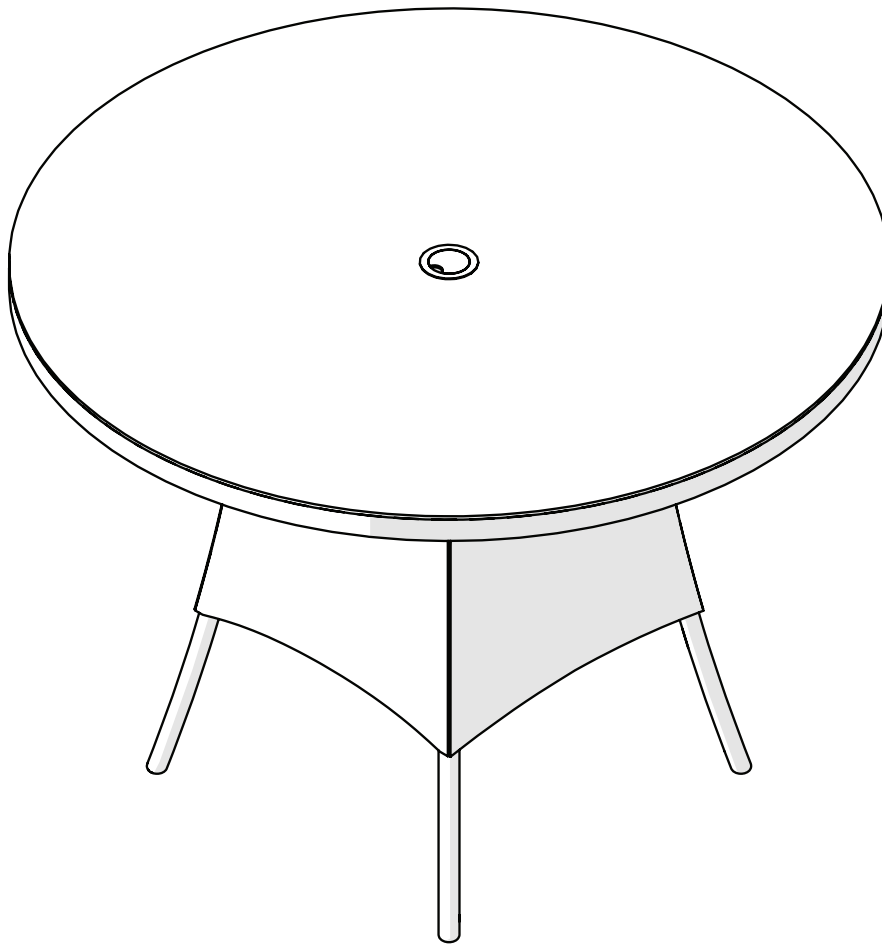


BARKER AND
STONEHOUSE

TIVERTON 1.3M ROUND DINING TABLE

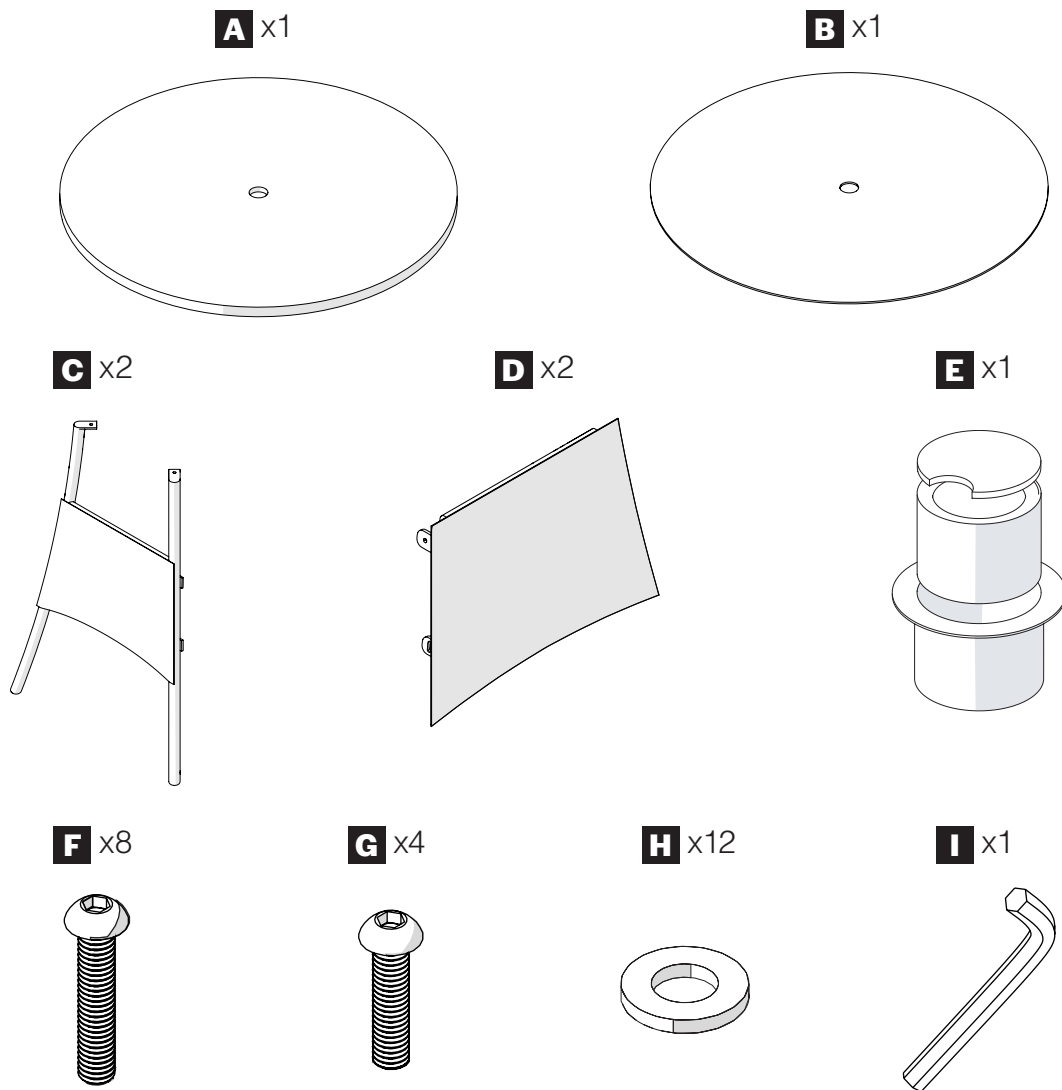
SKU: T1VEDINIBULK



IMPORTANT NOTICE

THIS BOOKLET CONTAINS USEFUL INFORMATION
ABOUT WARRANTY & CARE INSTRUCTIONS.
PLEASE KEEP FOR FUTURE REFERENCE.

PARTS LIST



| Part | Qty | Part Name |
|------|-----|-----------------------------|
| A | 1 | Table Top |
| B | 1 | Glass |
| C | 2 | Leg |
| D | 2 | Leg Support |
| E | 1 | Parasol Ring, Reducer & Cap |
| F | 8 | M6 x 25mm Screw |
| G | 4 | M6 x 15mm Screw |
| H | 12 | Washer |
| I | 1 | Allen Key |

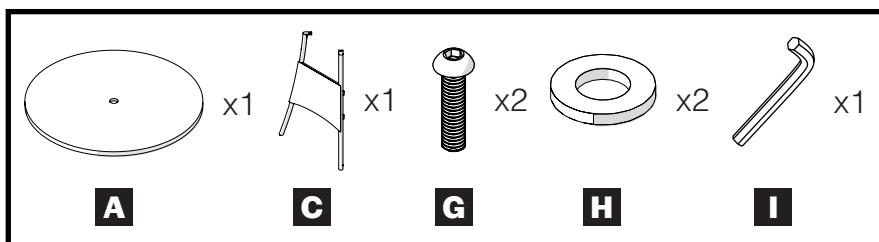
SAFETY ADVICE - READ BEFORE YOU START:

- **Never** use power drills when assembling the table.
- Ensure that you read this manual before starting to assemble your table.
- Check that you have all parts from the parts list. Do not throw away any packaging until you are confident that you have all parts.
- Assemble this product on a soft/flat surface.
- Place the table glass safely to one side until it is required and never lay the glass on hard or rough surfaces during assembly.
- If you are using the table in conjunction with a parasol, **ALWAYS** make sure you have a suitable weighted base to ensure the parasol does not blow over. Incorrect use of a parasol will void your warranty.
- Always close and remove the parasol from the table when the parasol is not in use.
- It is recommended that two people lift the glass. Ensure you lift with the correct posture & technique.
- Keep any plastic bags, tools, and fittings away from children and pets.
- After prolonged use we recommend you check all the fittings are tightened securely.
- Please do not modify this product, use other tools, or substitute parts to build your item(s), as this will void your warranty.
- Please only use this product for its intended purpose as outdoor furniture within a residential environment. Failure to do so will void your warranty.
- Barker And Stonehouse holds no responsibility for any damages caused due to normal wear and tear, incorrect assembly, misuse and/or negligence.
- We reserve the right to make changes for product improvements.
- Please recycle packaging where possible.

ASSEMBLY

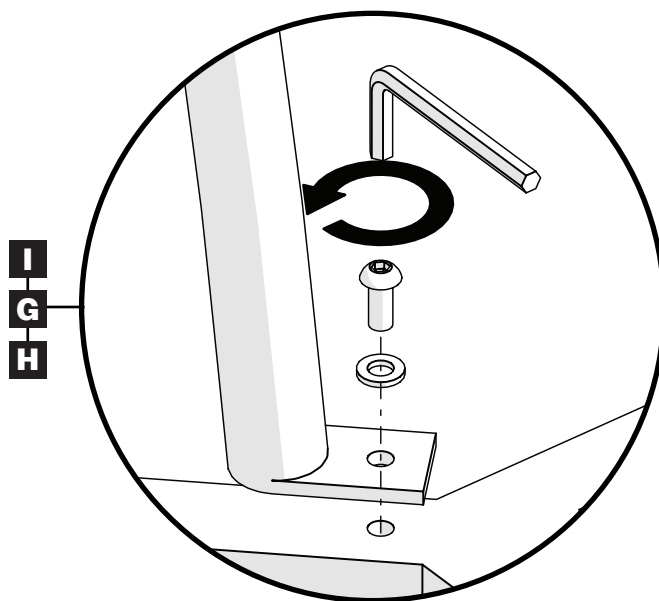
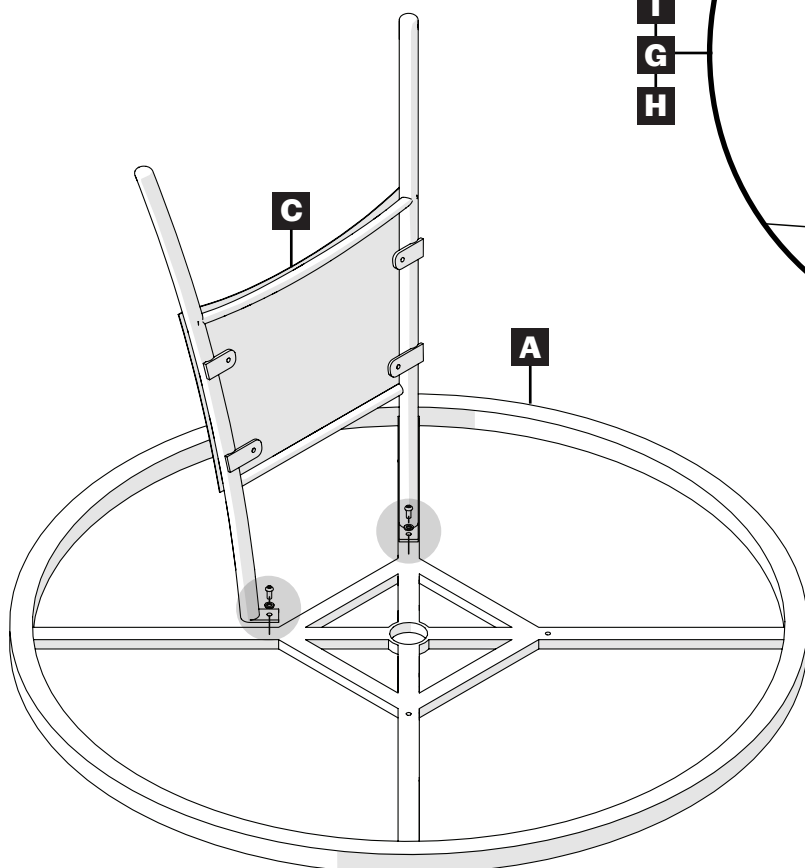
STEP 1

Loosely secure the leg onto the table top using the M6 x 15mm screws and washers. **Do not tighten any screws at this step.**



TOP TIP!

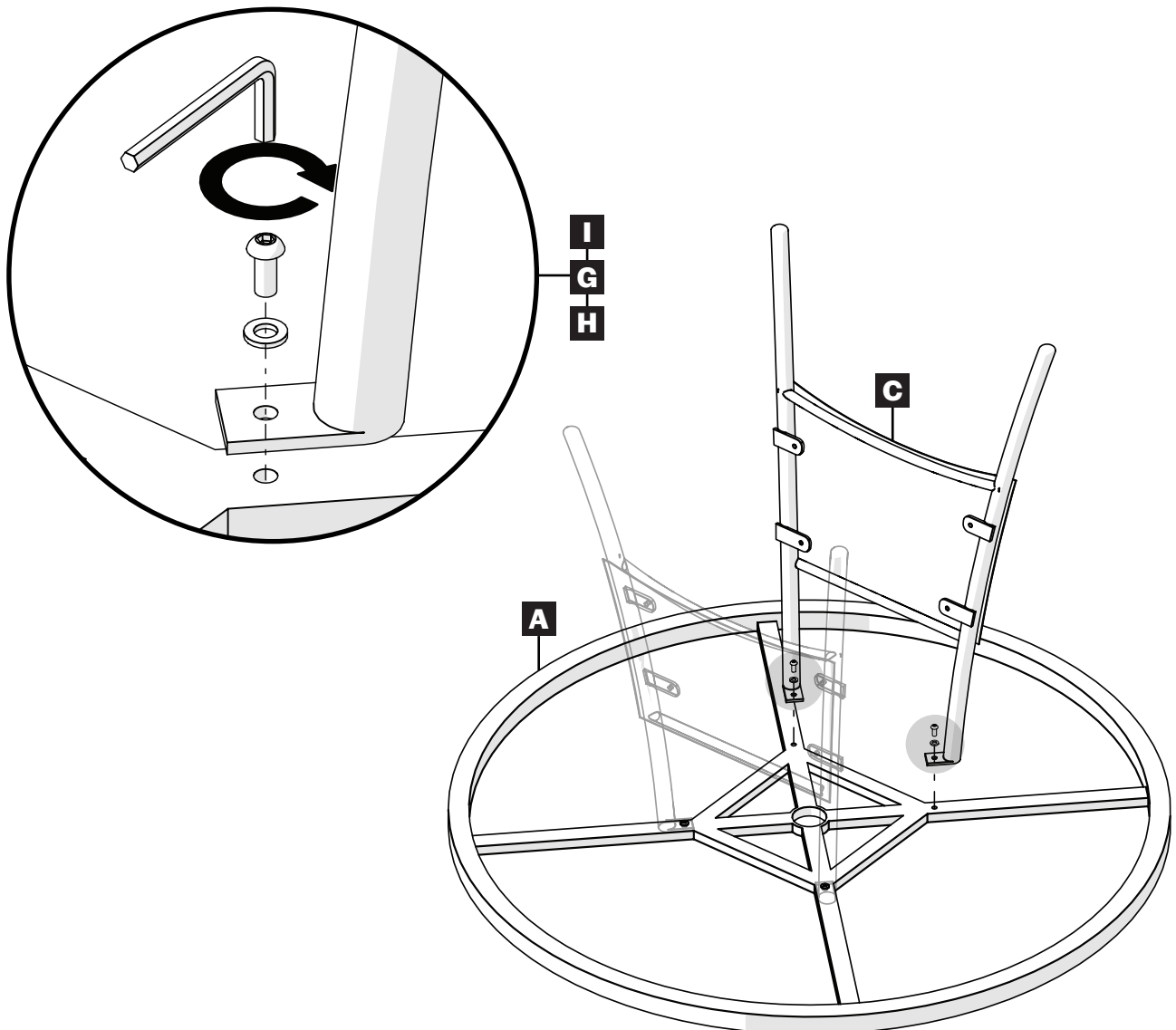
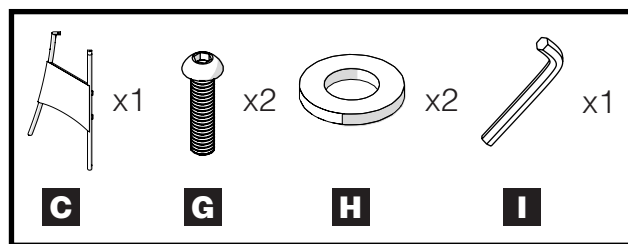
Utilise the outer cardboard packaging where possible. This will protect your table when assembling and prevent damage.



ASSEMBLY

STEP 2

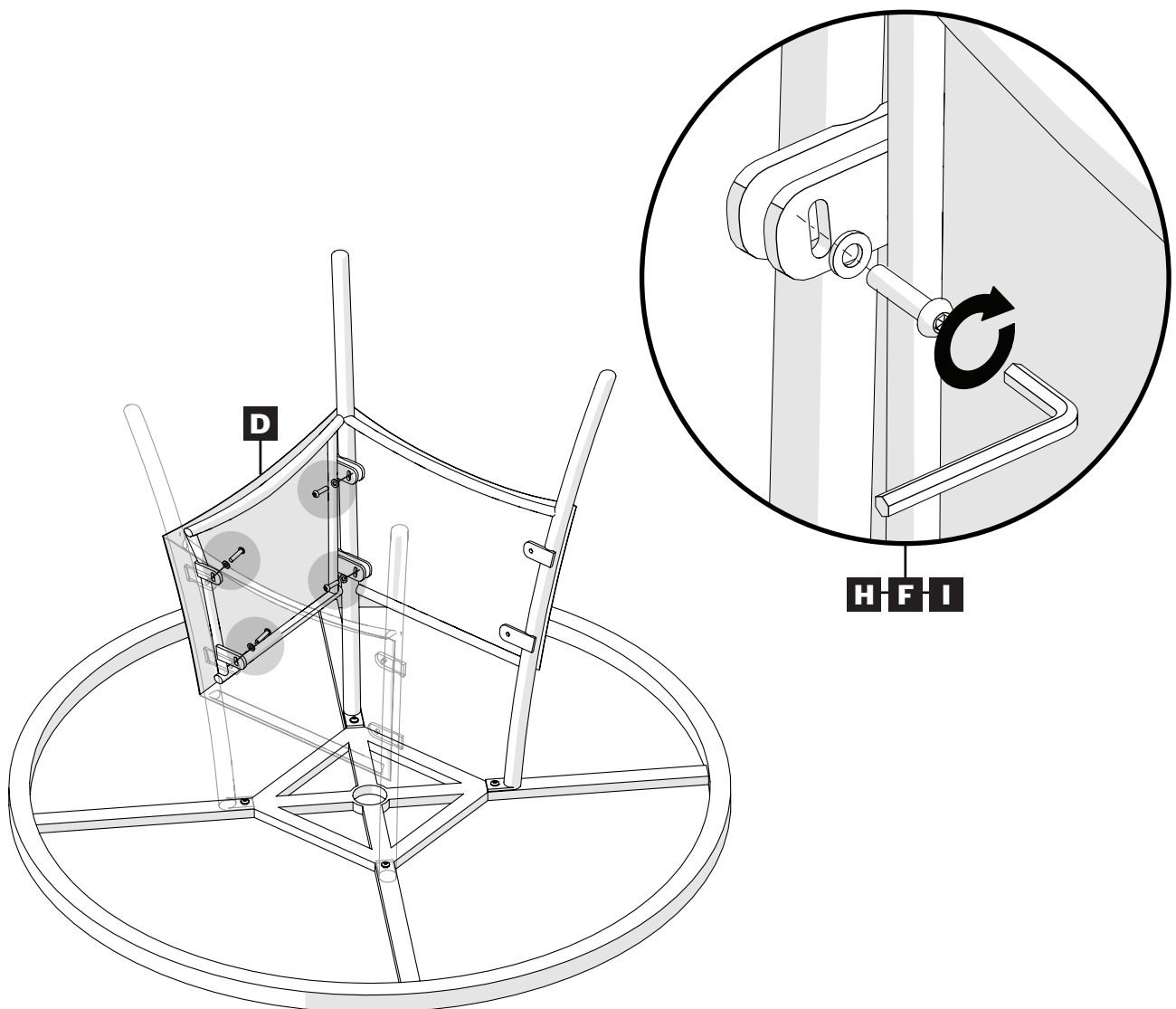
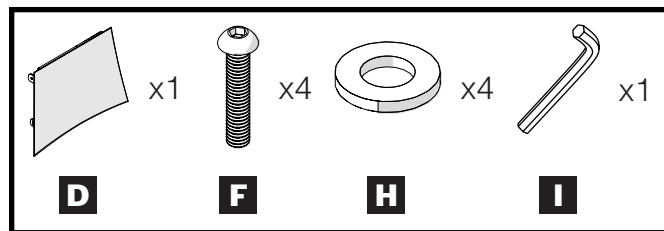
Loosely secure the second leg onto the table top using the M6 x 15mm screws and washers. **Do not tighten any screws at this step.**



ASSEMBLY

STEP 3

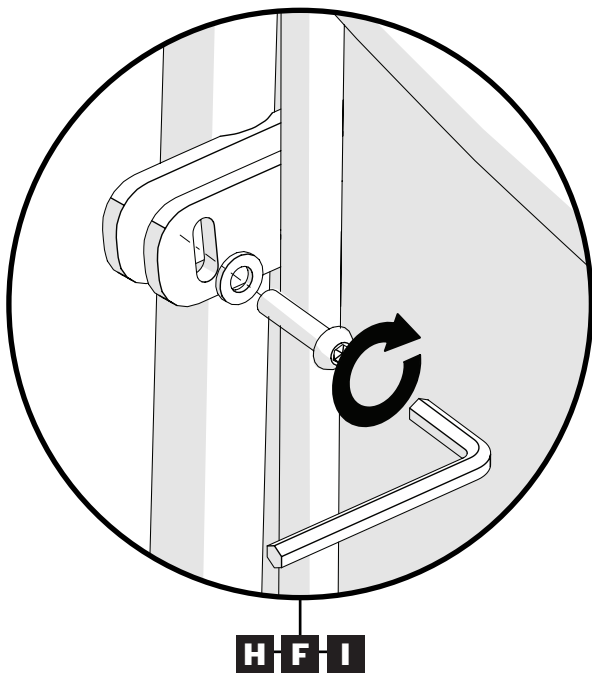
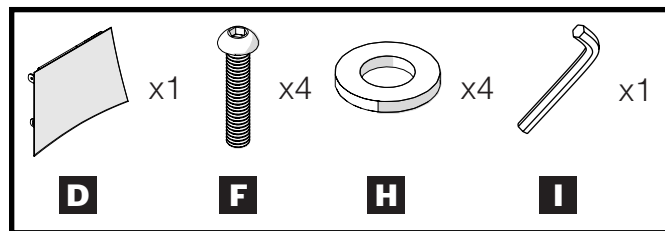
Loosely secure the leg support to the inside of the legs using the M6 x 25mm screws and washers. **Do not tighten any screws at this step.**



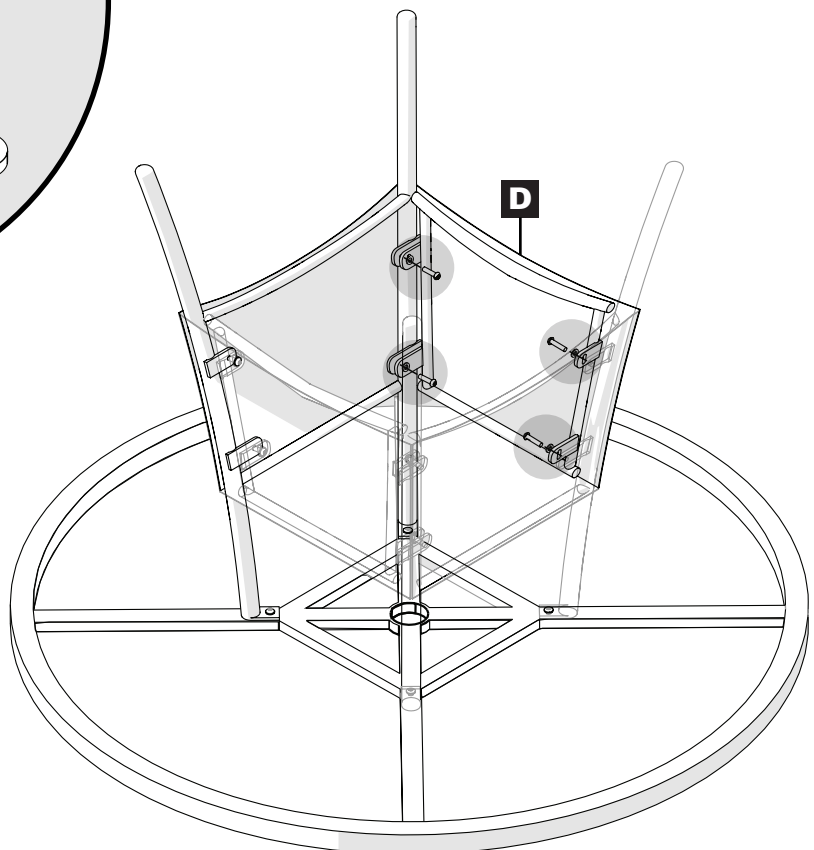
ASSEMBLY

STEP 4

Loosely secure the leg support to the inside of the legs using the M6 x 25mm screws and washers.



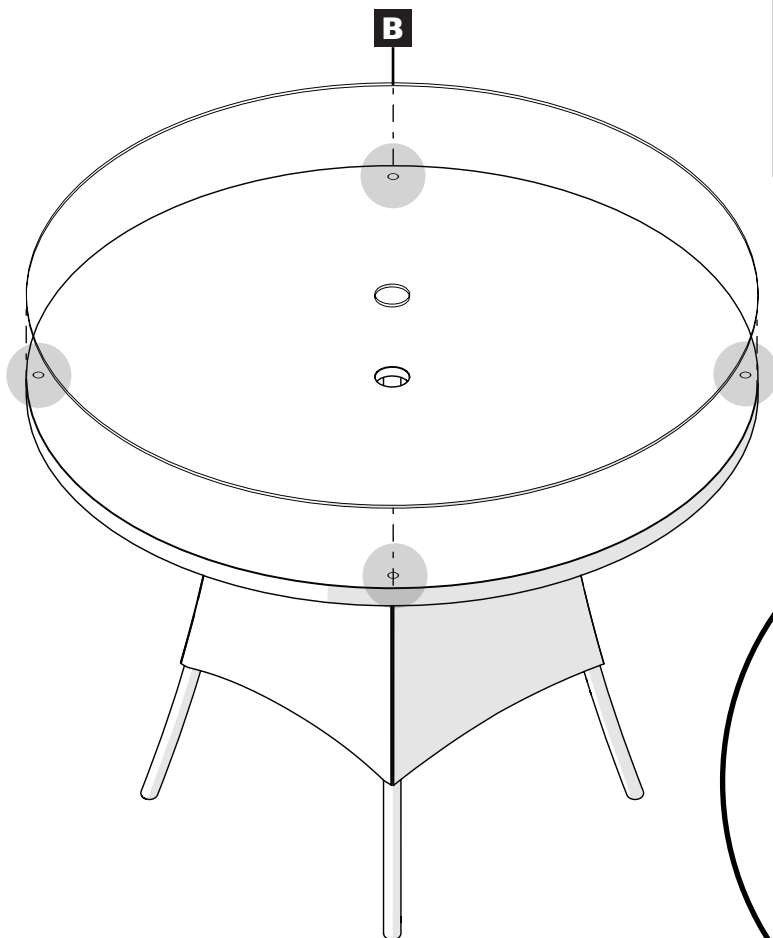
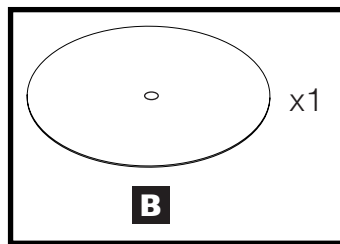
ITS TIME!
Tighten all the screws with the provided Allen key



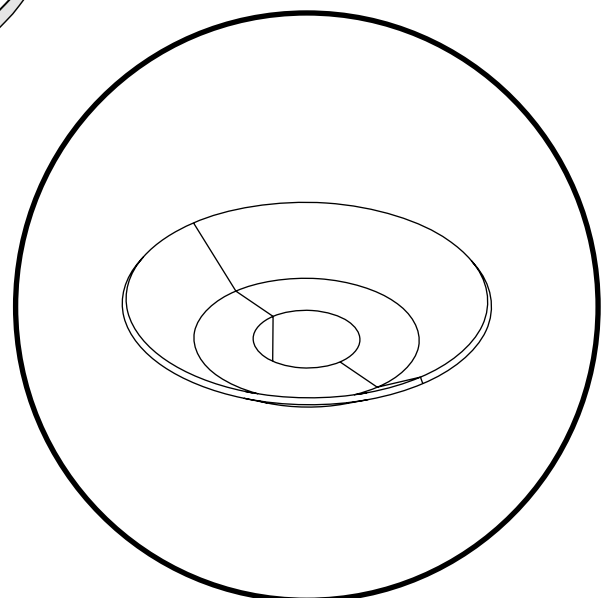
ASSEMBLY

STEP 5

Turn the table over. Add the glass to the table top ensuring the suction rings are flat.



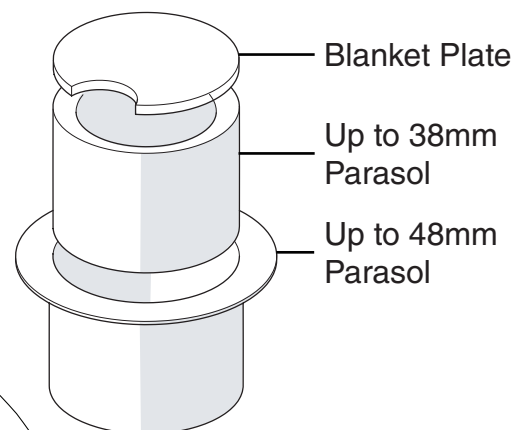
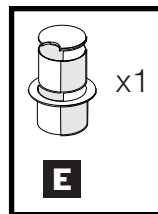
SAFETY WARNING!
Always lift and secure the glass with two people.



ASSEMBLY

STEP 6

Position the parasol ring into the centre of the table. Remove the ring reducers to accommodate the size of your parasol pole. If you are not using a parasol, cover the parasol ring with the blanket plate.



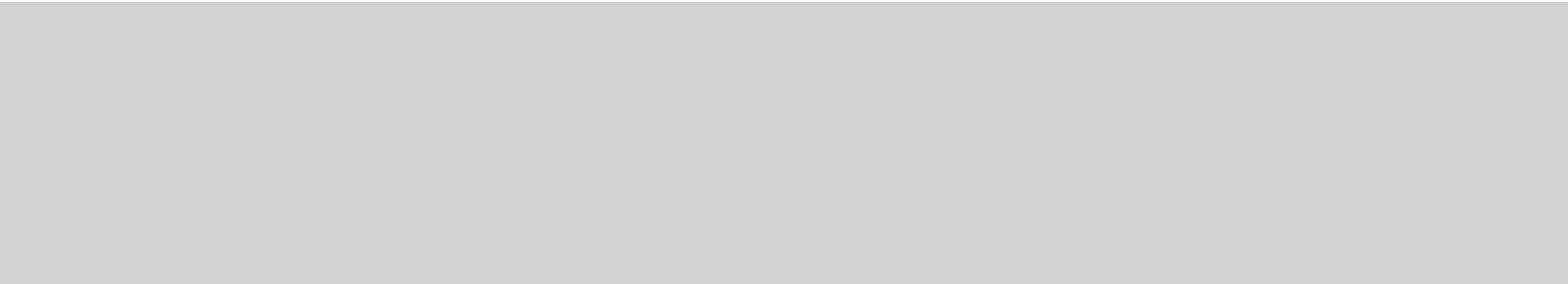

COMPLETE!

Assembly of the table is now complete!

CARE & MAINTENANCE ADVICE

Please read the below Care & Maintenance tips to help protect your garden table:

- To prolong the life of the tabletop we recommend you always use place mats and coasters when putting glasses and plates onto the glass.
- Keep your table away from external extreme heat sources.
- We recommend you always use heat mats when placing hot objects on the tabletop.
- Be careful not to drop any objects onto the table as this could damage the tabletop.
- We always recommend two people to lift the glass.
- The table is fitted with plastic feet for protection. Never drag the table as this will accelerate wear and tear on the feet, which is not covered under warranty.
- We recommend cleaning the table with warm, soapy water. You can use a cloth or a soft-bristle brush with gentle pressure. Never use abrasive cloths or detergents to clean the glass. Once you have finished, wash off any residue with clean water.
- For optimum glass and rattan protection we recommend a protective cover is used all year round.
- We recommend clearing any spills quickly when exposed to direct sunlight. Any clear liquid on the glass will work as a magnifier, the temperature of the sun's rays will increase creating an extremely hot heat source which could damage the rattan. The same applies to leaving a filled drinks glass on the glass tabletop for an extended period.



**BARKER AND
STONEHOUSE**

