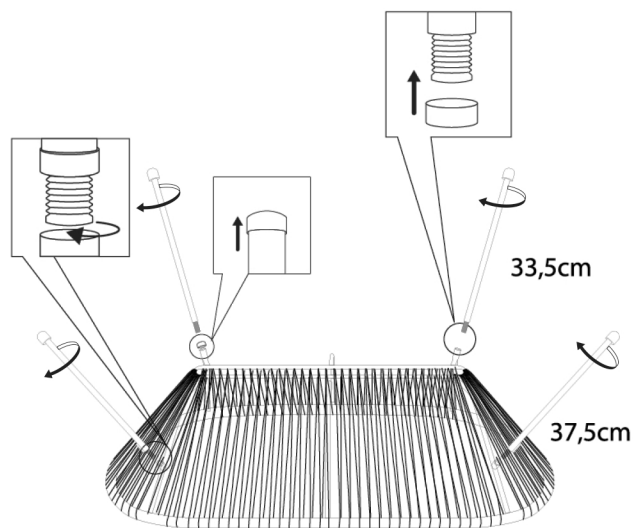
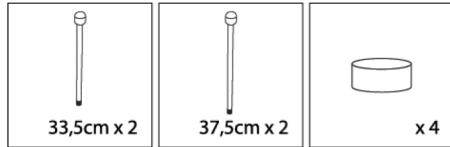
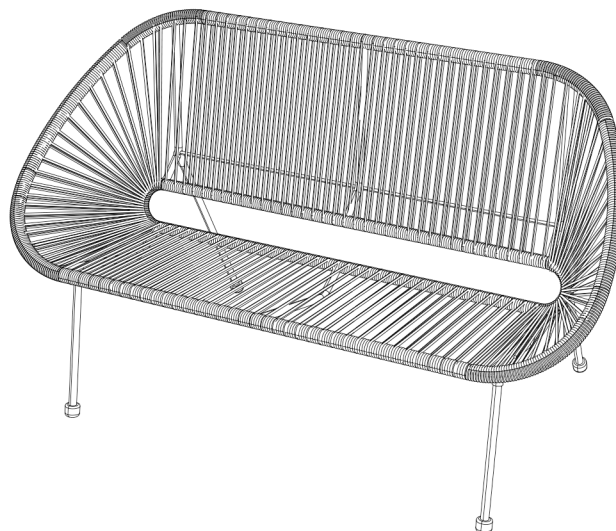


ASSEMBLY INSTRUCTIONS

Parts list:



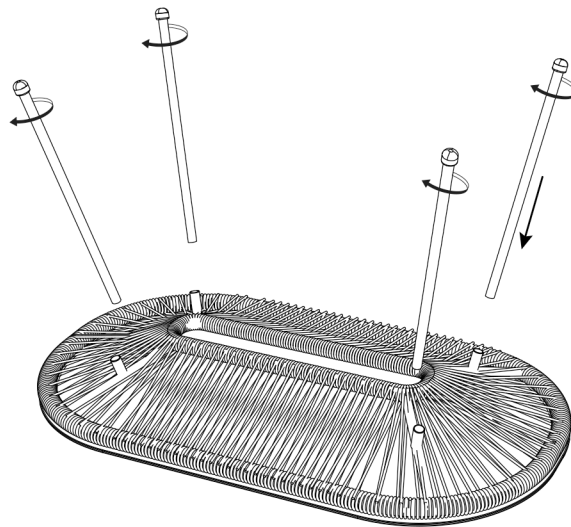
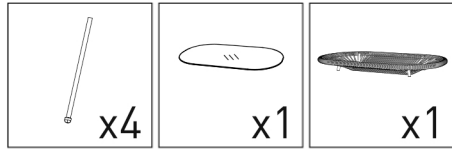
Step 1: Place the double sofa frame upside down on a clean protected surface. Screw the legs on to the seat frame.



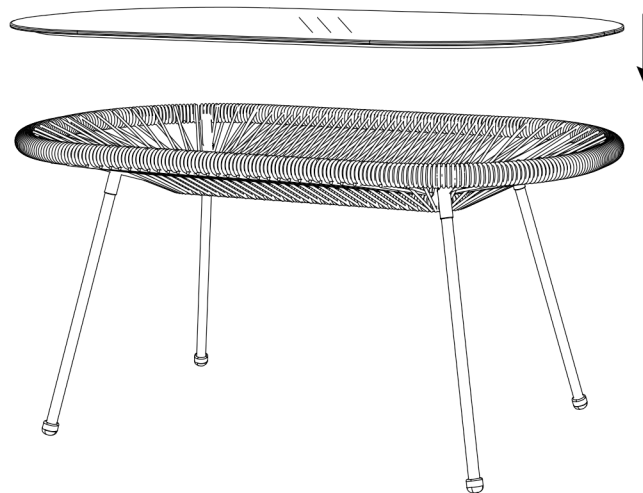
Step 2: Turn over your assembled sofa. It is now ready for use.

ASSEMBLY INSTRUCTIONS

Parts list:

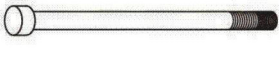
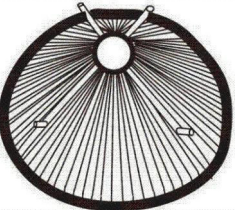
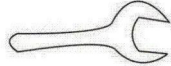
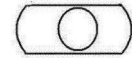


Step 1: Place the coffee table frame upside down on a clean protected surface. Screw the legs on to the table top frame.

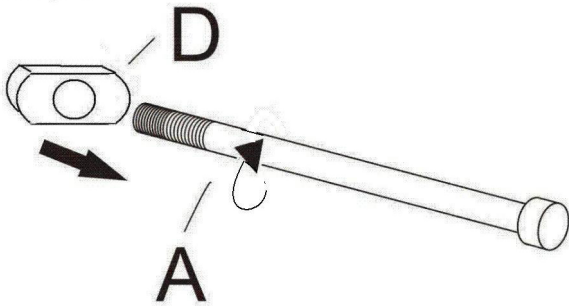


Step 2: Once all legs are secure, carefully place the glass on to the table top. Your table is now ready for use.

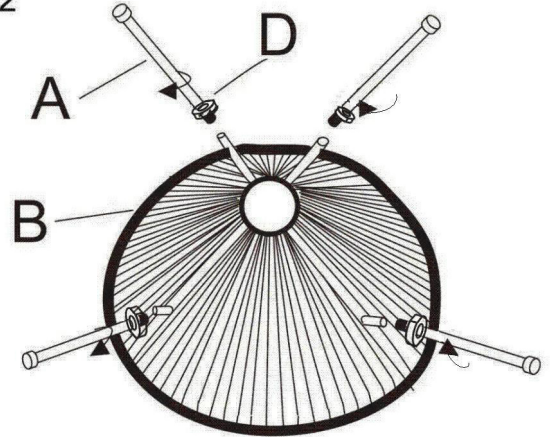
ASSEMBLY INSTRUCTIONS

	Illustration	QTY
A	 Leg	4
B	 Seat	1
C	 Spanner	1
D	 Fastening Nut	4

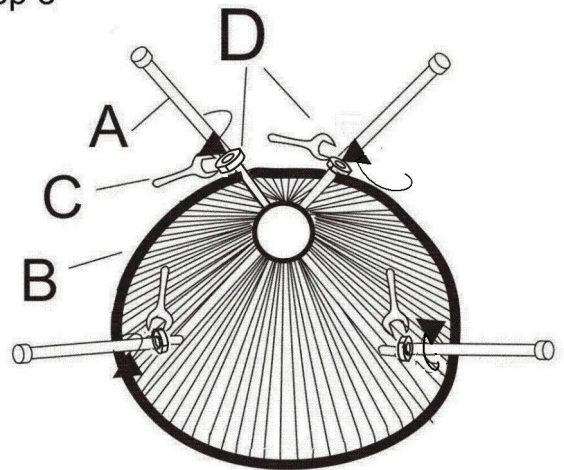
Step 1



Step 2



Step 3



Step 1: Locate the chair leg (A) and nut (D). Screw the nut all the way down the thread on the chair leg. Repeat for the remaining three legs.

Step 2: Place the chair frame (B) upside down on a clean protected surface. Screw the leg(A) with nut (D) on to the seat frame (B).

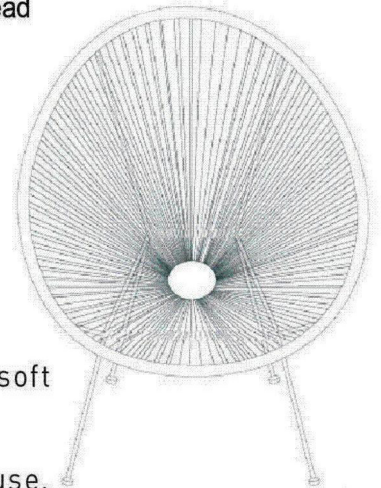
Step 3: Use the Spanner (C) to tightly secure each leg onto the chair.

Step 4: Turn over your assembled chair. It is now ready for use.

Please check that all bolts are secure before and after use.

Care Instructions:

- 1.Wipe clean with luke warm water & mild detergent or scrub with soft bristle brush.
- 2.Rinse excess detergent with water and allow to dry naturally.
- 3.Store chair undercover or protect from the weather when not in use.



ASSEMBLY INSTRUCTIONS

Care instructions:

Wipe clean with a soft damp cloth.

WARNING:

- Before use ensure the table unit is on a stable level surface.
- Do not allow children to climb on the table.
- Never use the table if any parts are broken or missing.
- Never pivot or drag the table. The Table must always be lifted by at least two people when moved.
- Do not place the table in the near vicinity of open fires or other sources of strong heat such as electric or gas fires.
- Always leave the table clean and dry. Wipe away any spillage straight away. The unit can be cleaned with a soft damp cloth. Never use abrasives, bleach or strong detergents.
- Check regularly that all fittings and screws are correctly tightened and are not damaged.
- Please do not sit or stand on the top of the table.
- Please do not store heavy objects on the top of the table.