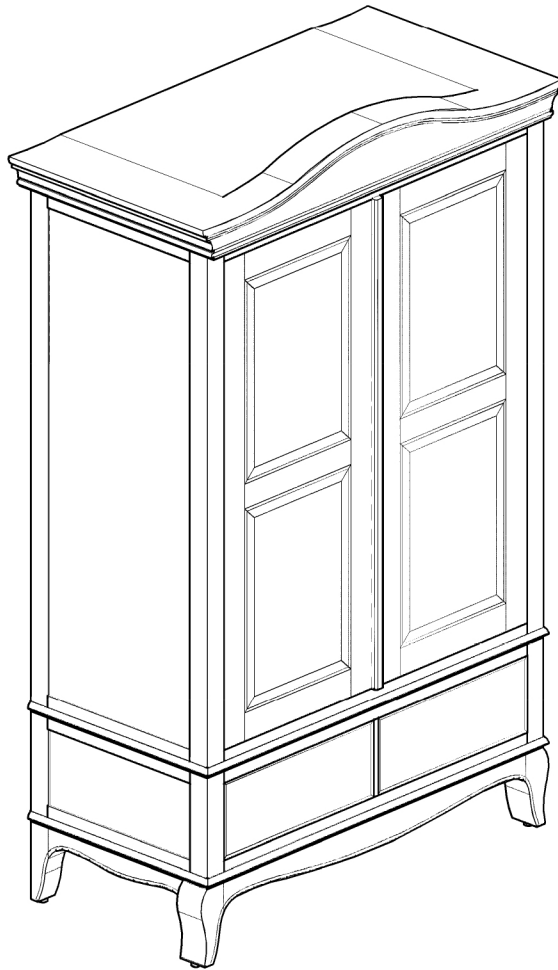


# Double Wardrobe Assembly Instructions

Product Size : H200 cm x W123 cm x D63,5 cm



Please retain for future reference

# Double Wardrobe Assembly Instructions

## BEFORE YOU START

### Warnings

- > We suggest that you retain these instructions for future reference.
- > Keep tools out of children's reach and keep children well away from the assembly area.
- > Please ensure that this product is only used on firm, level ground.
- > We advise that you periodically check all fittings and re-tighten as necessary.
- > Please do not stand or sit on your furniture.
- > Please avoid exposing the furniture to excessive heat or direct sunlight, as this can cause deterioration of the colour.
- > Wood will mellow and change colour over time, we recommend that ornaments and items placed on the surface are moved regularly for the first few months to prevent uneven mellowing.

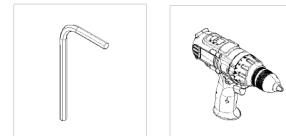
### Number of people required to assemble

2 Persons are required to assemble this item

### Time to assemble

Approximately 45 minutes required to assemble this item.

### Tools required



### Missing part or issues

If you are missing any fixtures and fittings for your furniture, or if you are unhappy with the condition of your furniture, please contact the retailer who you purchased this furniture from.

### Do

- > We suggest you spend a short time reading through this leaflet before you start.
- > When you are ready to start, make sure that you have the right tools and plenty of space.
- > Unwrap all packaging materials and place components on a clean surface to protect them from damage.
- > We recommend that the packaging is used to protect the surfaces during assembly.
- > Carefully check that you have all parts before beginning assembly.
- > We recommend that the furniture is assembled in the room that it is intended to be used in.
- > Ensure the product is fully assembled as shown, and that all fixings are fully tightened before use.
- > Wipe occasionally with a soft cloth slightly dampened with water, then buff with a dry clean soft cloth.

### Don't

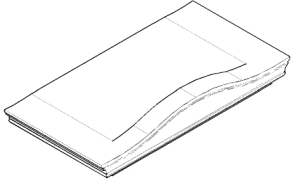
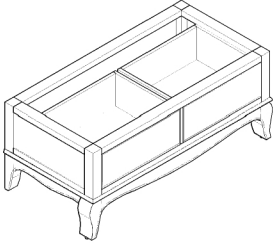
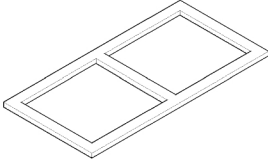
- > Do not drag or pull your furniture.
- > Do not use silicone based furniture polish. Silicone in furniture polishes can break down the finish.
- > Never allow any kind of liquid to remain on your furniture.
- > Absorption can cause wood to warp or finishes to de-laminate.
- > Do not place hot items (e.g. hot drinks) directly on to the wood surface. Please make sure you use a placemat or coaster.
- > Do not use chemical or abrasive cleaning product

### Care Guide

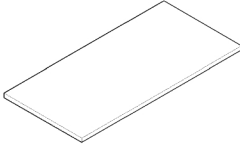
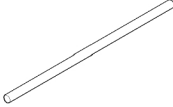
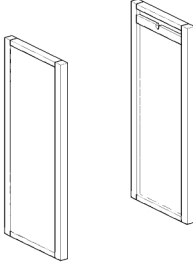
Wood as a natural material, will continue to move and be affected by its surroundings. Changes in humidity and temperature can lead to warping and /or cracks in the wood. Therefore, it is advisable not to place your furniture against a direct heat source or air conditioning unit. Over time, with changes in the atmosphere and light, the wood will mellow. To ensure an even tone we recommend that it is not left in direct sunlight and any objects placed on the furniture should be regularly moved around to help avoid colour differences. Your furniture has been finished with a Natural Walnut Finishing.

## Assembly Instructions

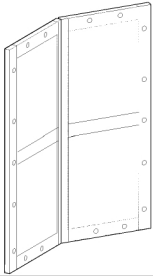
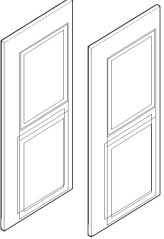
Components supplied. Please use this guide if you require replacement parts.

No	Dimension	Visual	Qty	Ctn
1.	H 16.5 cm x W 123 cm x D 63.5 cm		1 PC	1
2.	H 51 cm x W 119,2 cm x D 59,7 cm		1 PC	1
3.	H 2.5 cm x W 115.3 cm x D 57.9 cm		1 PC	1

## Assembly Instructions

No	Dimension	Visual	Qty	Ctn
4.	H 2.2 cm x W 104.1 cm x D 50.5 cm		2 SET	1
5.	H Ø4 cm x W 107 cm x D Ø4 cm		1 PC	1
6.	H 5.5 cm x W 132.5 cm x D 57.5 cm		2 SET	1

## Assembly Instructions

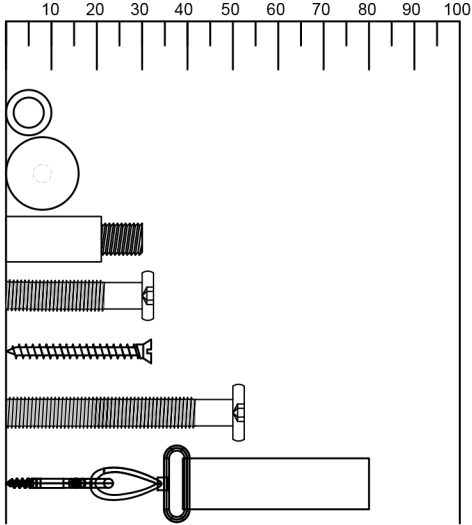
No	Dimension	Visual	Qty	Ctn
7.	H 2.7cm x W 126.5 cm x D 52 cm		1 PC	1
8.	H 2.2 cm x W 126.5 cm x D 50.8 cm		2 SET	1

## Assembly Instructions


### Fixtures and Fittings

**Main features and fittings supplied (to scale)**

Ref	Dimension	Qty
1	H1cm x W1cm x D0,1cm	12 pcs
2	H1,6cm x W1,6cm x D0,5cm	4 pcs
3	H1cm x W3cm x D1cm	6 pcs
4	H1cm x W3cm x D1cm	4 pcs
5	H0.6cm x W3,2cm x D0.6cm	12 pcs
6	H1,2cm x W5cm x D1.2cm	8 pcs
7	H1cm x W8cm x D2,5cm	1 Set

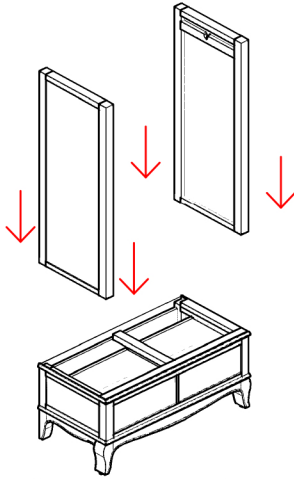


**Other fixtures and fittings supplied (not to scale)**

Ref	Dimension	Visual	Qty
1	-		1 PC

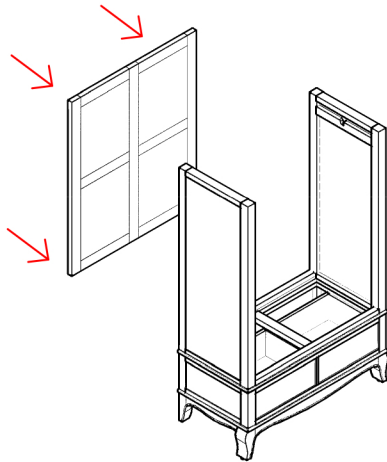
## Assembly Instructions

1



Lay down side panel and base panel.  
install left and right panel to the base using 50 mm bolt

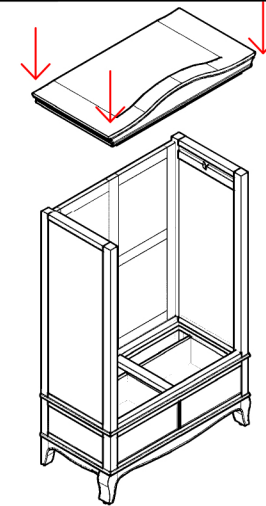
2



Install back panel to body using 1 ¼" screw

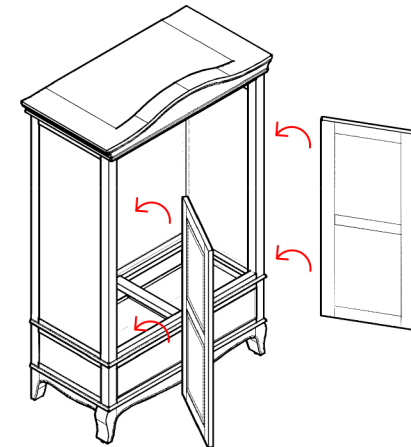
## Assembly Instructions

3



Install the top profile to the wardrobe body using 50 mm bolt.

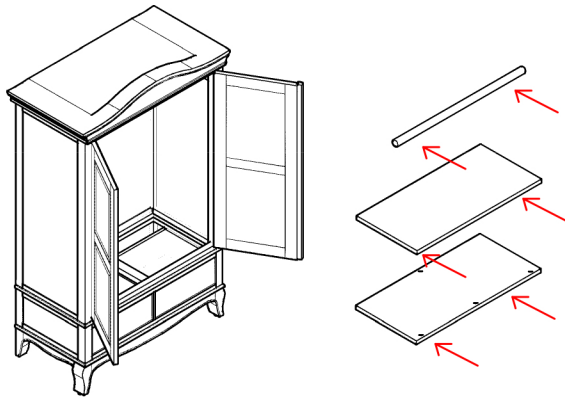
4



Install the door to the hinges on the side panel

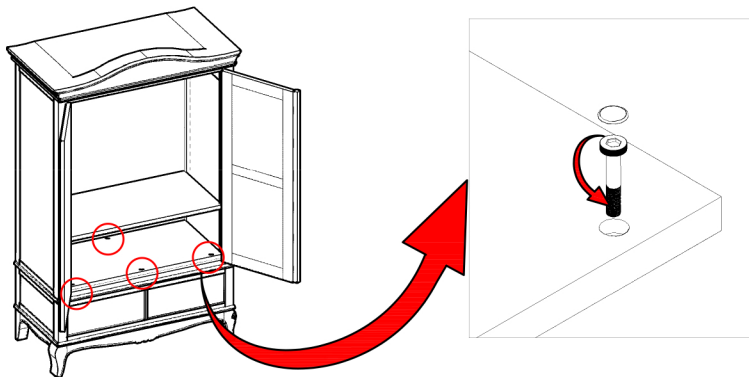
## Assembly Instructions

5



Install shelf and round wooden bar to inside of the wardrobe

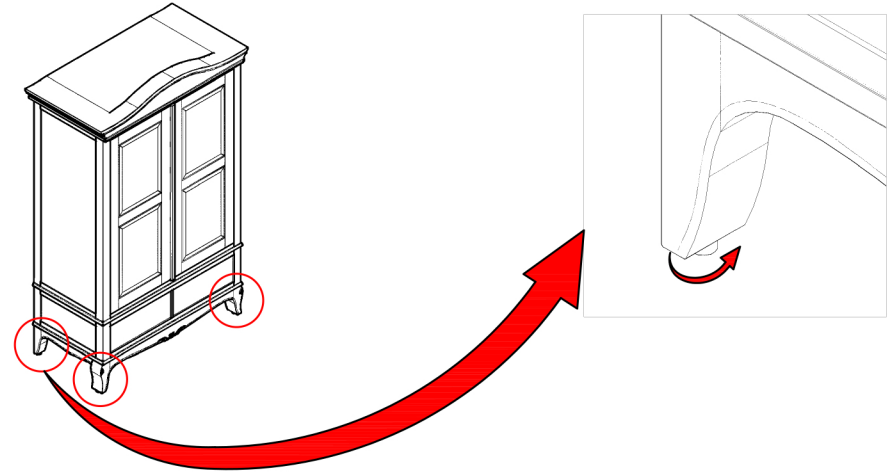
6



Install base panel to the wardrobe using 3 cm connecting bolts with allen key then attach the cover cap

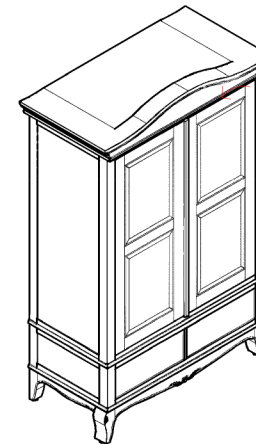
## Assembly Instructions

7



Please arrange the adjustable glide to balance the cabinet to the floor

8



Fully Assembled. Double Wardrobe is ready to use

# Assembly Instructions

## WARNING!

In order to prevent overturning this product must be used with the wall attachment device provided. Serious or fatal crushing injuries can occur from furniture tipping over. To help prevent topple over:

- Use the wall attachment devices provided
- Never allow children to climb or hang on drawers, doors or shelves
- Do not overload drawers
- Place heaviest items in the lower drawers or shelves
- Unless specifically designed to accommodate, do not set TV's or other heavy objects on top of this product

An attachment device is provided with your product.

Fixings may be included, however please ensure that these are suitable for your wall type.

If they are not, you will need to source suitable fixings for your wall type.

If in doubt consult a qualified trades person.

Always ensure that the wall to be drilled into is free from hidden electrical wires, water and gas pipes. If in doubt consult a qualified trades person.

- Line your unit up with the wall and lightly mark the position for the wall fixing to be attached, just below the top of the unit. you will need to move the unit away from the wall to attach the wall fixing.
- Install anti-tip to the back with screw follow pre-drill arrow.
- Drill into the wall and insert the correct wall plug.
- Screw the wall fixing fully into the wall and ensure it is secure.

Carefully move the unit back into position and attach the strap to the bracket using the clip.

